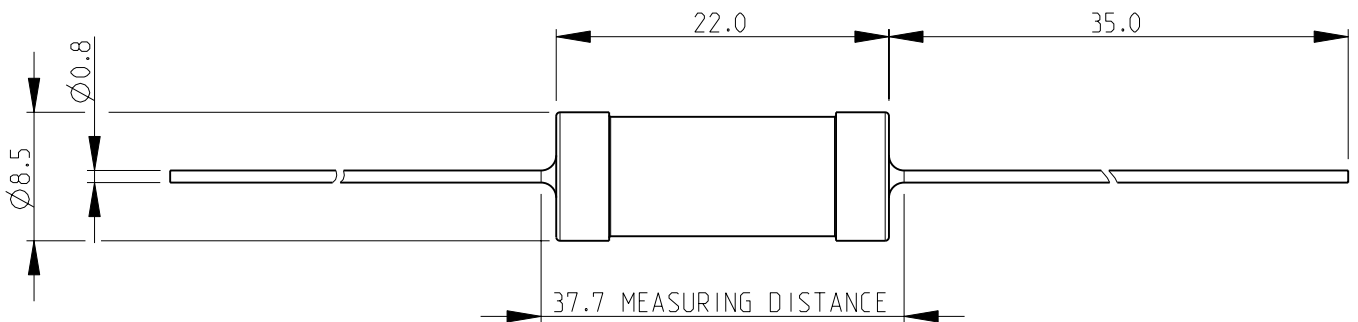
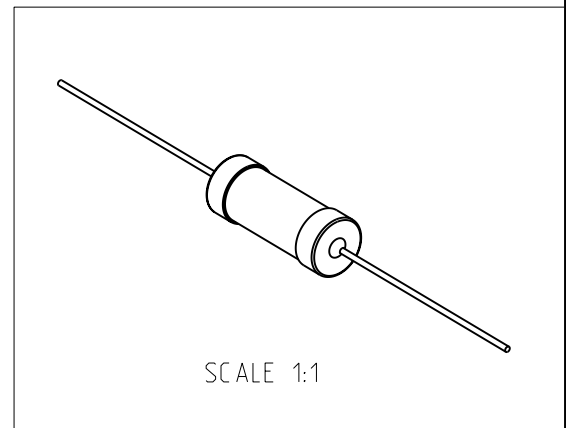


LOC	DIST	REVISIONS					
E	B	P	LTR	DESCRIPTION	DATE	DWN	APVD
			BA	NEW RELEASE	18-NOV-08	SM	St.P

FOR FURTHER INFORMATION SEE DATA SHEET FOR
 C SERIES-HIGH POWER RESISTORS



RoHS Compliant



2008

RELEASED FOR PUBLICATION

THIS DRAWING IS UNPUBLISHED.

© COPYRIGHT 2008 BY TYCO ELECTRONICS CORPORATION. ALL RIGHTS RESERVED.

DIMENSIONS: mm	DWN	SUBHASH.M	18-NOV-08	MATERIAL	-	FINISH	-
	CHK	PRAKASH.S	18-NOV-08	Tyco Electronics Tyco Electronics Corporation Dorcan, Swindon, SN3 5HH			
TOLERANCES UNLESS OTHERWISE SPECIFIED:	APVD	STEPHEN.P	18-NOV-08				
	0 PLC	±0.2	PRODUCT SPEC	NAME HIGH POWER RESISTORS SERIES C7			
1 PLC	±0.1	APPLICATION SPEC					
2 PLC	±	WEIGHT	-	SIZE	A 4	CAGE CODE	00779
3 PLC	±	CUSTOMER DRAWING		DRAWING NO	C-1623772		RESTRICTED TO
4 PLC	±			SCALE	2:1	SHEET	1 OF 1
ANGLES	±5°						

